

Multi directional switches

INT-1610U Series

6x6mm, 5 Directions, Surface mount type

Features : One touch, multi way switching,
distinctive tactile feel for scanning and select functions

Applications : Electronic devices requiring direction control
on LCD display, Remote Controllers, CCTV cameras,
Digital cameras

Specifications :

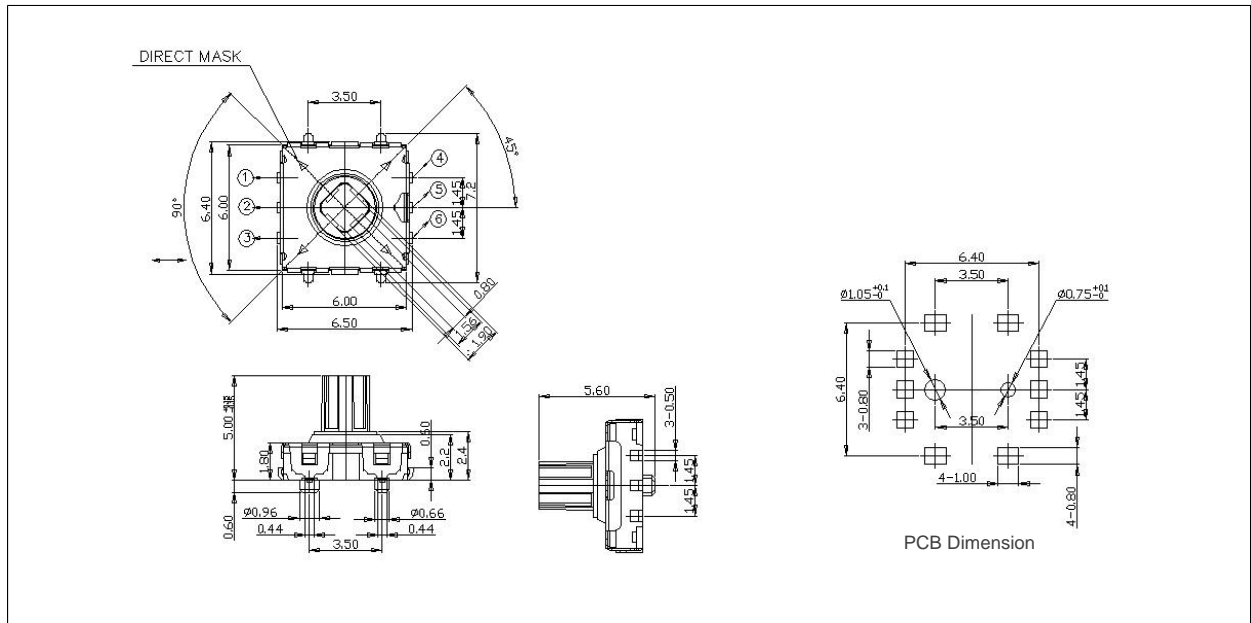
Rating	DC 12V 50mA
Contact resistance	500mΩ Max.
Travel (mm)	4 direction : 0.25 Center : 0.15



Model list :

Model No.	Length (mm)	Operating force		Life	QTY per pack (Tape & reel)	Remarks
		4 Direction	Center			
INT-1610U50B	5.0	130±50gf	250±50gf	100,000 Cycles Min.	1K	without guide bosses
INT-1610UE50B						with guide bosses

Drawing :



Circuit diagram :

