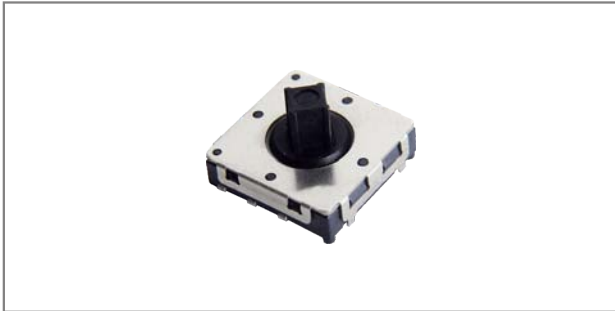


Multi directional switches

INT-1510J745B Series 12×12.35mm, 5 Directions, Surface mount type, Dustproof



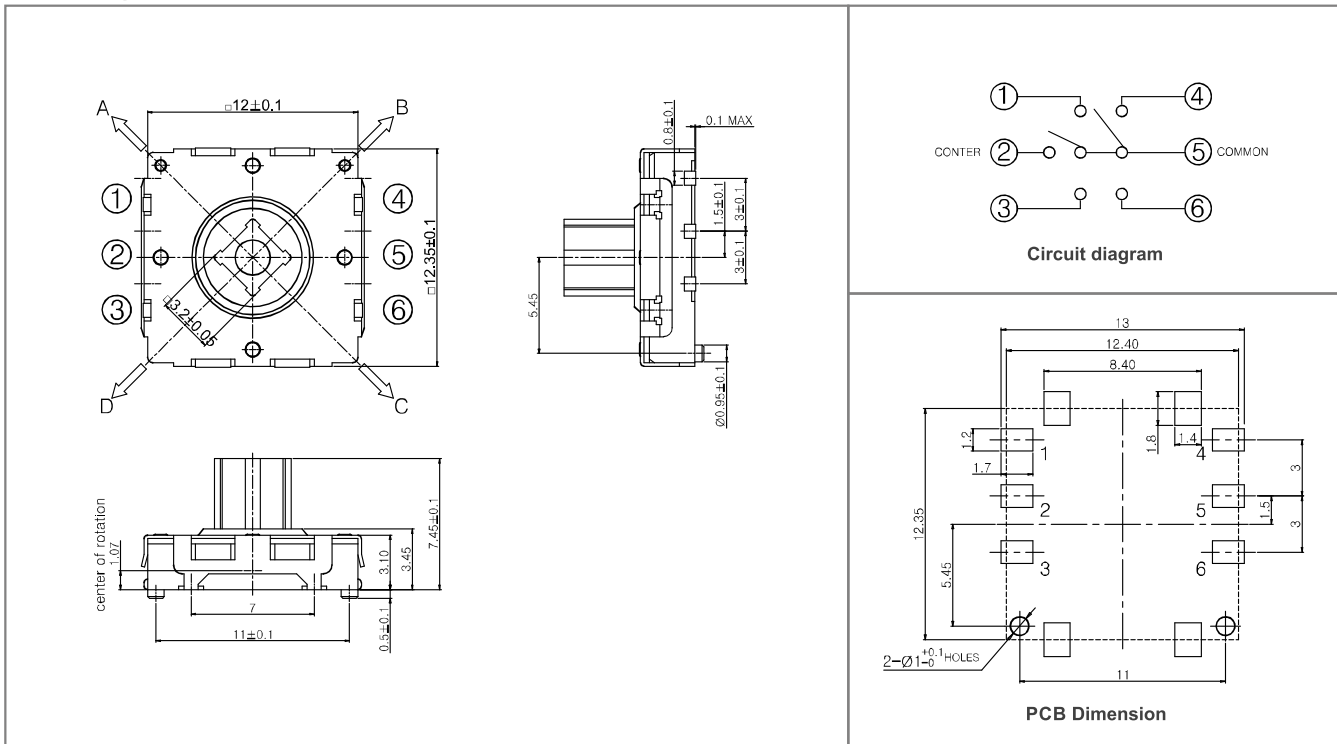
- **Features :** One touch, multi way switching, distinctive tactile feel for scanning and select functions
- **Applications :** Electronic devices requiring direction control on LCD display, Remote Controllers, CCTV cameras, Digital cameras
- **Specifications :**

Rating	DC 12V 50mA
Contact resistance	500mΩ Max.
Travel (mm)	0.2±0.1

► **Part list**

Part No.	Length (mm)	Operating force		Life	QTY per pack (Tape & reel)
		4 Direction	Center		
INT-1510J745B	7.45	250±70gf	350±70gf	100,000 Cycles Min.	500

► **Drawing**



TACT Switches
PUSH Switches
HOOK Switches
DETECTOR Switches
SLIDE Switches
ROTARY Potentiometers
LEVER Switches
ROTARY Switches
CAPS