

# Waterproof switches

## INT-1179BG Series

7.2x7.2mm, Ø3.0mm Stem, Through hole type with Ground pin

**Features :** IP67 dust & water resistance

**Applications :** Home appliances or Industrial equipments  
used around water

**Specifications :**

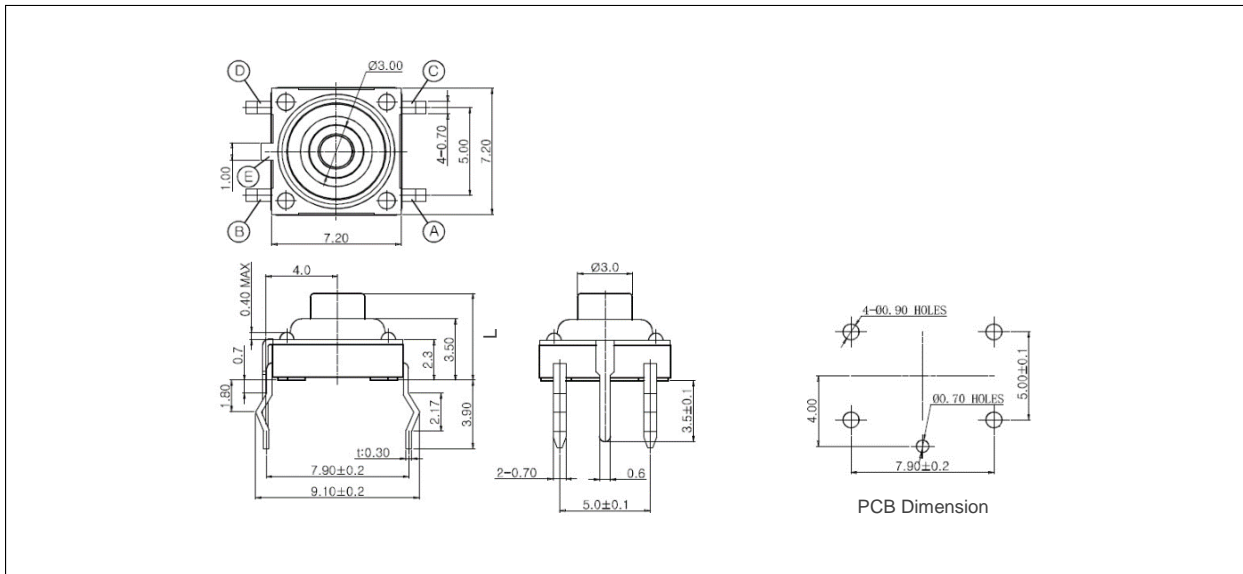
Rating	DC 12V 50mA
Contact resistance	100mΩ Max.
Travel (mm)	0.25±0.2/-0.1



**Model list :**

Model No.	Length (mm)	Operating force	Life	QTY per pack (Plastic bag)
INT-1179BG50A	5.0	200±50gf	100,000 Cycles Min.	2K
INT-1179BG90A	9.0			
INT-1179BG13A	13.0			

**Drawing :**



**Circuit diagram :**

