

# Waterproof switches

## INT-1169BM Series

6.2x6.2mm, Ø2.9mm Large stem, Metal cover, Through hole type

**Features :** IP67 dust & water resistance

**Applications :** Home appliances or Industrial equipments used around water

**Specifications :**

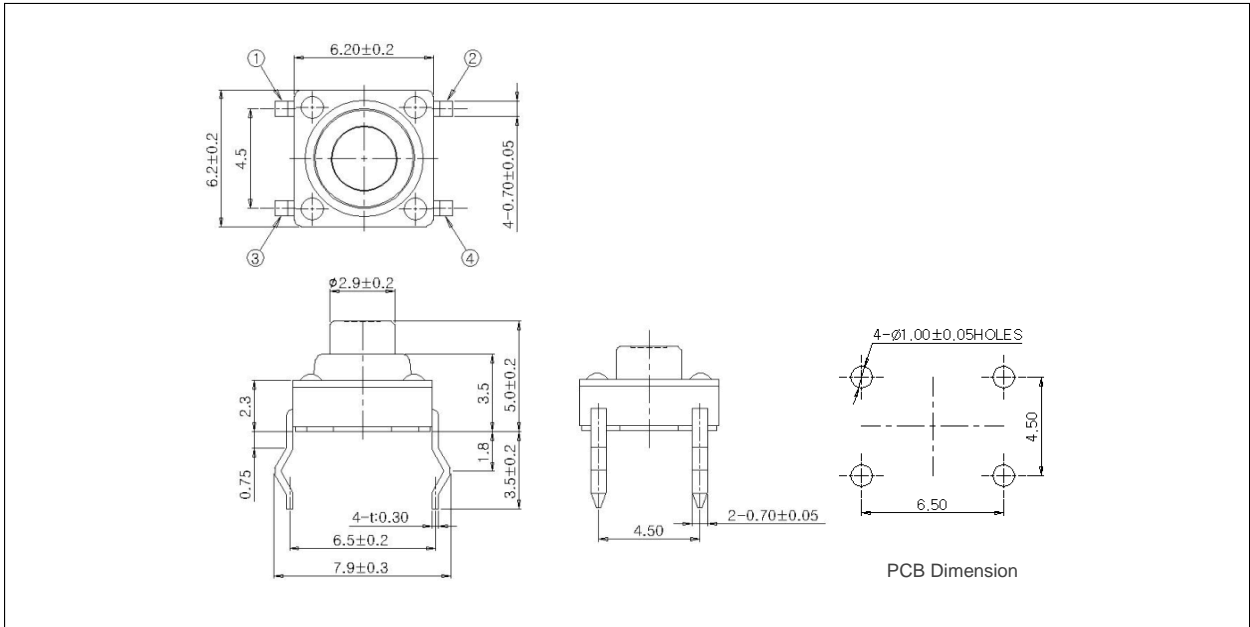
Rating	DC 12V 50mA
Contact resistance	100mΩ Max.
Travel (mm)	0.3±0.1



**Model list :**

Model No.	Length (mm)	Operating force	Life	QTY per pack (Plastic bag)
INT-1169BM43A	4.3	200±50gf	100,000 Cycles Min.	2K
INT-1169BM50A	5.0			
INT-1169BM70A	7.0			
INT-1169BM43B	4.3	250±70gf	100,000 Cycles Min.	2K
INT-1169BM50B	5.0			
INT-1169BM70B	7.0			

**Drawing :**



**Circuit diagram :**

