

# Sealed SMT Tact switches

## INT-1158S / INT-1158SG Series

6.1×6.9mm, Surface mount type with Ground pin, IP67 Moistureproof

- TACT Switches
- PUSH Switches
- HOOK Switches
- DETECTOR Switches
- SLIDE Switches
- ROTARY Potentiometers
- LEVER Switches
- ROTARY Switches
- CAPS




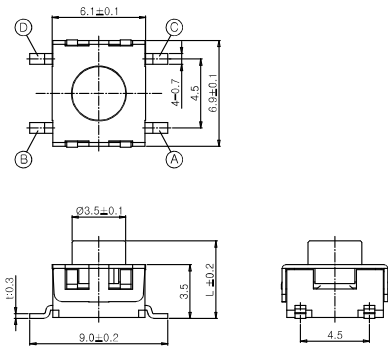
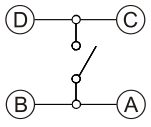
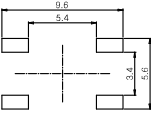

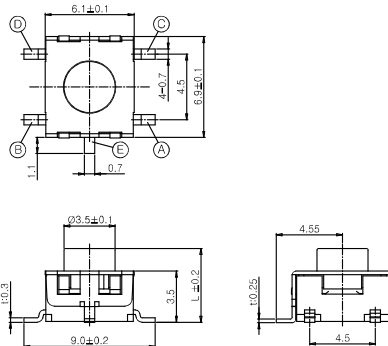
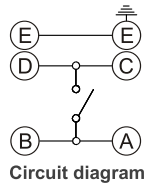
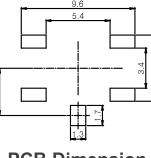
- ▶ **Features** : Suitable for variety of controls
- ▶ **Applications** : Audio, TV, Communication devices, Operating switches for all kinds of electronic equipments
- ▶ **Specifications** :

Rating	DC 12V 50mA
Contact resistance	100mΩ Max.
Travel (mm)	0.25±0.1

### ▶ Part list

Part No.	Length (mm)	Operating force	Life	QTY per pack (Tape & reel)	Remarks		
INT-1158S43A	4.3	200±50gf	100,000 Cycles Min.	1K	without guide bosses		
INT-1158S50A	5.0						
INT-1158S60A	6.0						
INT-1158S43B	4.3	250±50gf			100,000 Cycles Min.	1K	without guide bosses
INT-1158S50B	5.0						
INT-1158S60B	6.0						
INT-1158SG43A	4.3	200±50gf	100,000 Cycles Min.	1K			with guide bosses
INT-1158SG50A	5.0						
INT-1158SG60A	6.0						
INT-1158SG43B	4.3	250±50gf			100,000 Cycles Min.	1K	with guide bosses
INT-1158SG50B	5.0						
INT-1158SG60B	6.0						

### ▶ Drawing

 <p>INT-1158S</p>		 <p>Circuit diagram</p>  <p>PCB Dimension</p>
 <p>INT-1158SG</p>		 <p>Circuit diagram</p>  <p>PCB Dimension</p>