

# Waterproof switches

## INT-1149B Series

10x10mm, Through hole type

**Features :** IP67 dust & water resistance

**Applications :** Home appliances or Industrial equipments used around water

**Specifications :**

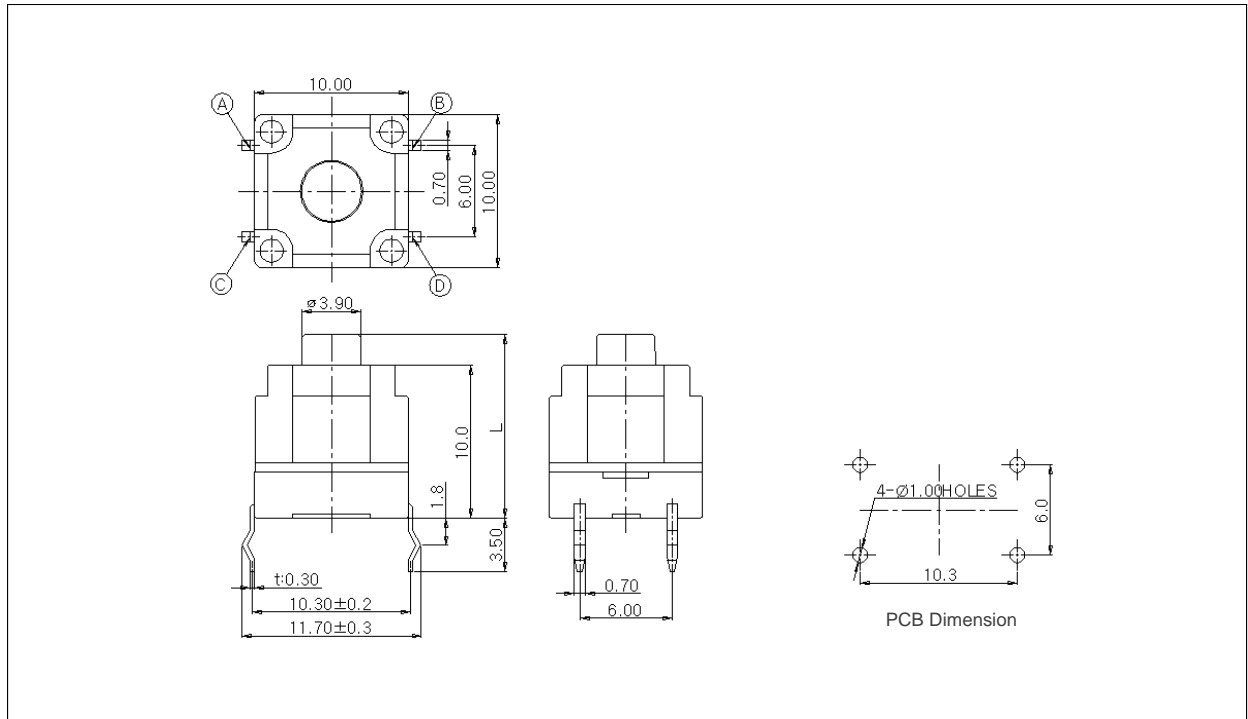
Rating	DC 12V 50mA
Contact resistance	500mΩ Max.
Travel (mm)	0.3±0.1



**Model list :**

Model No.	Length (mm)	Operating force	Life	QTY per pack (Plastic bag)
INT-1149B13A	13.0	200±50gf	100,000 Cycles Min.	1K
INT-1149B232A	23.2			
INT-1149B13B	13.0	250±50gf	100,000 Cycles Min.	1K
INT-1149B232B	23.2			

**Drawing :**



**Circuit diagram :**

