

Soft feeling switches

INT-1131U Series

6x6mm, Surface mount type

Features : Soft feeling with rubber stem

Applications : Car AV equipments, Car navigation,
Automobile, Camera

Specifications :

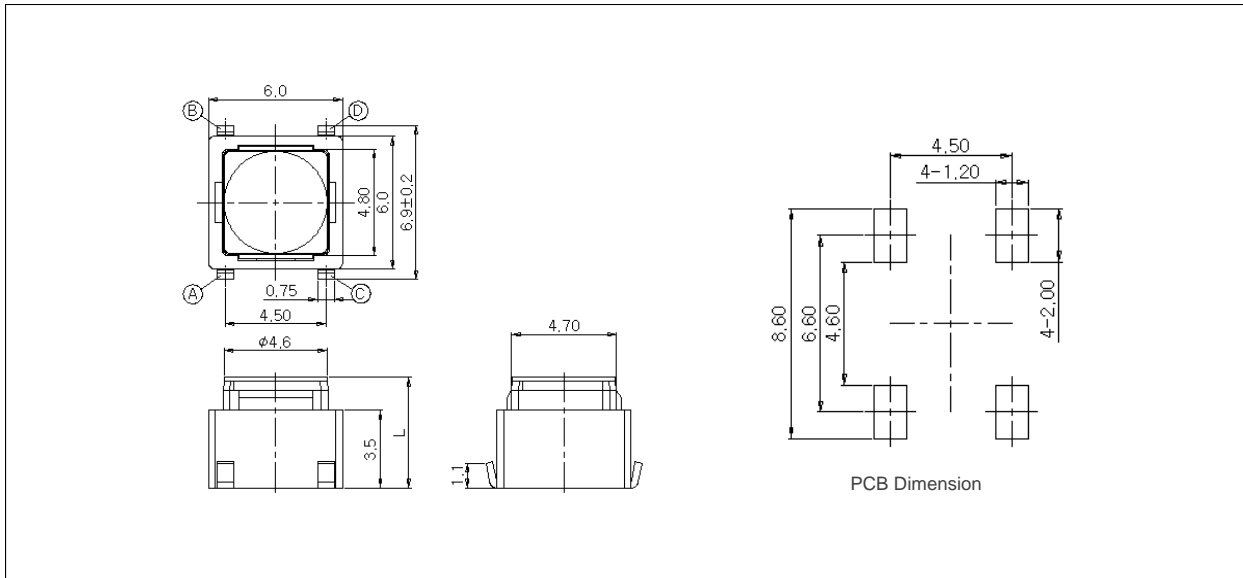
| | |
|--------------------|--------------|
| Rating | DC 12V 50mA |
| Contact resistance | 100mΩ Max. |
| Travel (mm) | 1.3+0.2/-0.3 |



Model list :

| Model No. | Length (mm) | Operating force | Life | QTY per pack (Tape & reel) |
|--------------|-------------|-----------------|---------------------|----------------------------|
| INT-1131U50A | 5.0 | 160±50gf | 100,000 Cycles Min. | 1K |
| INT-1131U70A | 7.0 | | | 750 |
| INT-1131U50B | 5.0 | 250±50gf | | 1K |
| INT-1131U70B | 7.0 | | | 750 |

Drawing :



Circuit diagram :

