

Soft feeling switches

INT-1131P Series

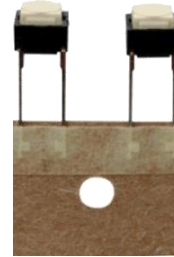
6x6mm, Radial type

Features : Soft feeling with rubber stem

Applications : Car AV equipments, Car navigation,
Automobile, Camera

Specifications :

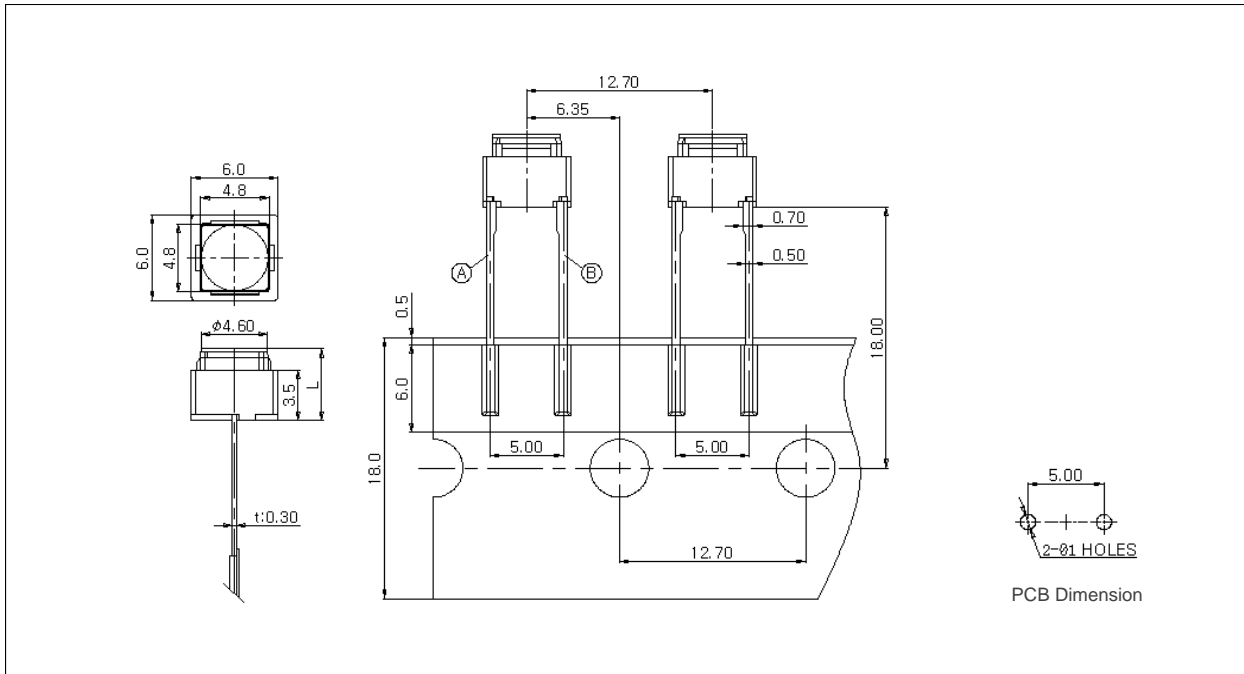
Rating	DC 12V 50mA
Contact resistance	100mΩ Max.
Travel (mm)	1.3+0.2/-0.3



Model list :

Model No.	Length (mm)	Operating force	Life	QTY per pack (Tape)
INT-1131P50A	5.0	160±50gf	100,000 Cycles Min.	1K
INT-1131P70A	7.0			
INT-1131P50B	5.0	250±50gf		
INT-1131P70B	7.0			

Drawing :



Circuit diagram :

