

# Side Tact switches

**INT-1125VS / 1125VSE Series** 1.8mm Height, Surface mount type




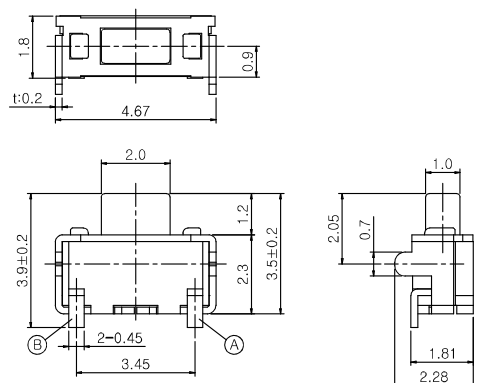
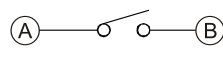
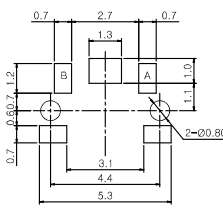

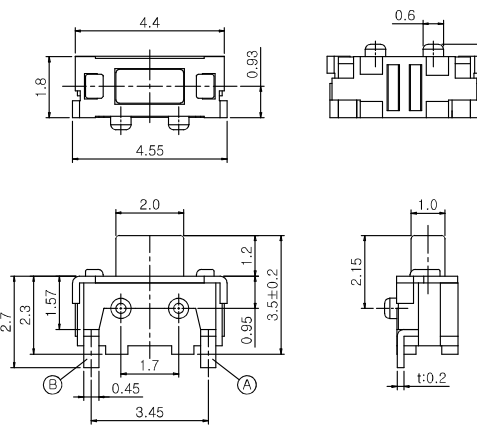
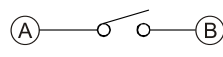
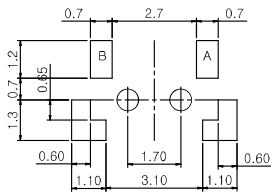
- **Features** : Low profile & subminiature design
- **Applications** : Smartphones, Other mobile devices, Consumer electronics
- **Specifications** :

Rating	DC 12V 50mA
Contact resistance	100mΩ Max.
Travel (mm)	0.15±0.1

► **Part list**

Part No.	Length (mm)	Operating force	Life	QTY per pack (Tape & reel)	Remarks
INT-1125VS35A	3.5	160±50gf	50,000 Cycles Min.	3K	without guide bosses
INT-1125VSE35A					with guide bosses

► **Drawing**

 <p>INT-1125VS</p>		 <p>Circuit diagram</p>  <p>PCB Dimension</p>
 <p>INT-1125VSE</p>		 <p>Circuit diagram</p>  <p>PCB Dimension</p>