

Waterproof switches

INT-1108BG Series

7.2x7.2mm, Through hole type with Ground pin

Features : IP67 dust & water resistance

Applications : Home appliances or Industrial equipments used around water



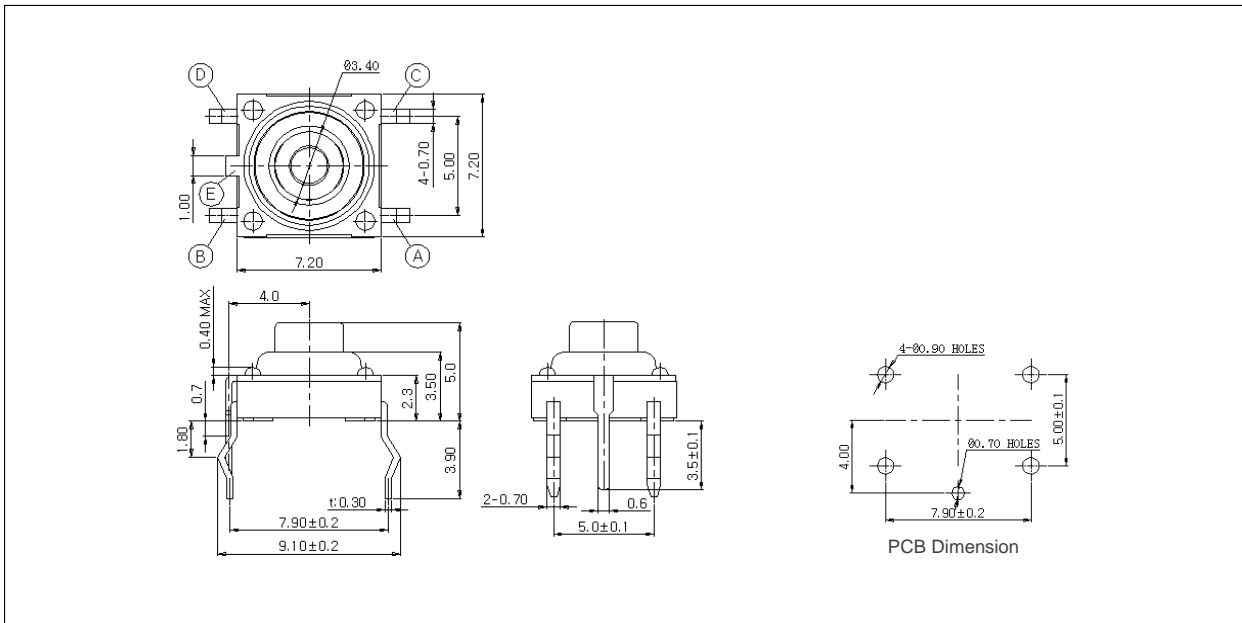
Specifications :

Rating	DC 12V 50mA
Contact resistance	100mΩ Max.
Travel (mm)	0.25±0.1

Model list :

Model No.	Length (mm)	Operating force	Life	QTY per pack (Plastic bag)
INT-1108BG43A	4.3	230±40gf	100,000 Cycles Min.	2K
INT-1108BG49A	4.98			
INT-1108BG50A	5.1			
INT-1108BG69A	6.9			
INT-1108BG70A	7.1			
INT-1108BG90A	9.0			
INT-1108BG13A	13.0			
INT-1108BG43B	4.3	250±70gf		
INT-1108BG49B	4.98			
INT-1108BG50B	5.1			
INT-1108BG69B	6.9			
INT-1108BG70B	7.1			
INT-1108BG90B	9.0			
INT-1108BG13B	13.0			

Drawing :



Waterproof switches

INT-1108BG Series

7.2x7.2mm, Through hole type with Ground pin

Circuit diagram :

